

KAPPA DESTEMMER-CRUSHERS

Models

- Kappa 15
- Kappa 25
- Kappa 50
- Kappa 60
- Kappa 90
- Kappa 120
- Kappa 150

Technical description

This machine is designed for processing whole bunches or mechanically harvested.

Frame and carpentry completely made of AISI 304 stainless steel.

Emergency devices and for user's safety, in compliance with European Directive 2006/42/CE (Machinery).

Control panel in accordance with European Directive 2006/95/CE (LV) and 2004/108/CE (EMC).

This machine consists of two independent units: destemming unit and crushing unit.

Destemming unit

The destemming unit is composed of a cage with drawn holes, inside of which the beater rotates. Both of them are made of AISI 304 stainless steel. Cages with different sizes and holes are available. The distance and inclination of beater elements are mechanically adjustable. The beater and cage speeds are adjustable by means of a VFD. From the model Kappa 60 and up it is possible to mount a second VFD to adjust independently the beater rotation and the cage rotation.

Crushing unit

The crushing unit consists of two food grade rubber crushing rollers. Each roller is stamped in only one piece in order to make hygiene and cleaning operation easy. The distance between the rollers is adjustable in order to avoid seed crushing and to ensure a correct berry crushing.

The combined rotation and the possibility of regulation allow the highest flexibility and quality of the product manufactured.

This crushing unit can be removed to make the cleaning easy and for non-crushing option based on winery requirements.

New crushing rollers **Open Grape** are available, as alternative solution to the traditional crushing rollers, coated by food-grade rubber with a cylindrical shape studied to enable the berry to be completely opened.

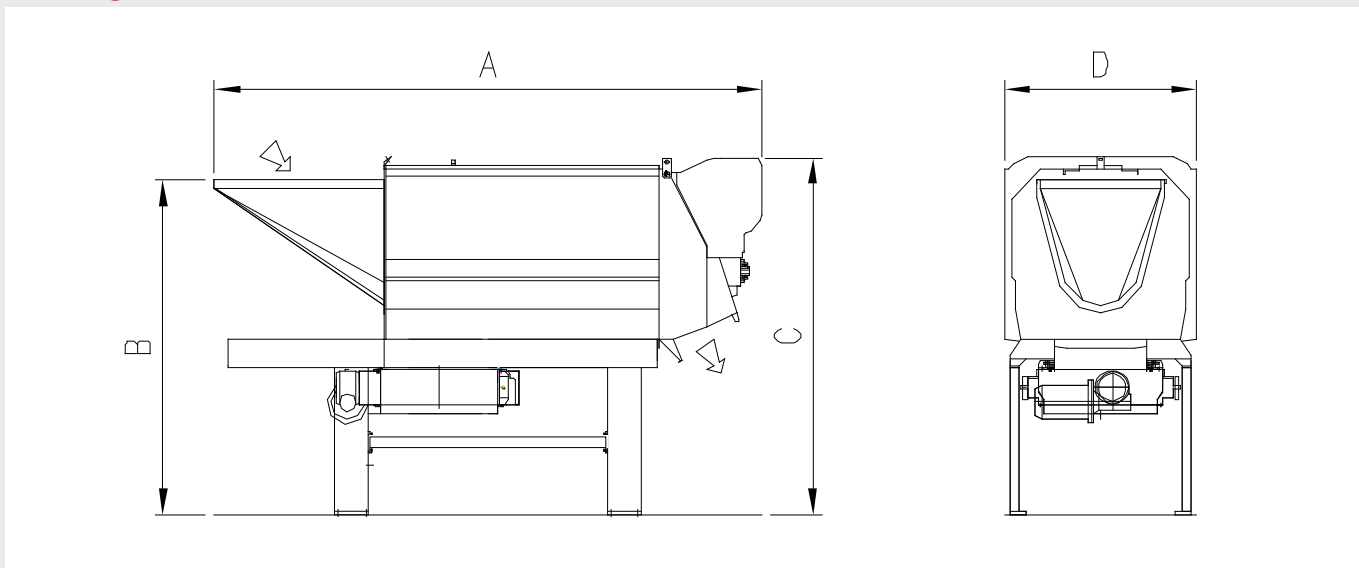
OPTIONS	KAPPA 15	KAPPA 25	KAPPA 50	KAPPA 60	KAPPA 90	KAPPA 120	KAPPA 150
Draining hopper	●	●	●	●	●	X	X
Raised feet 589 mm long	●	X	X	X	X	X	X
Onboard control panel for destemmer	standard	standard	X	X	X	X	X

Draining hopper with double screw and double motor with Inverter	X	X	X	X	X	●	●
Machine on wheels	standard	●	X	X	X	X	X
Additional cage with different hole sizes	●	●	●	●	●	●	●

● available

X not available

Drawing



TECHNICAL DATA	KAPPA 15	KAPPA 25	KAPPA 50	KAPPA 60	KAPPA 90	KAPPA 120	KAPPA 150
A (mm)	2.309	2.824	3.220	3.243	3.717	4.189	5.370
B (mm)	1.460	1.691	1.992	2.072	2.224	1.213	1.504
C (mm)	1.583	1.857	2.123	2.258	2.575	1.810	2.061
D (mm)	1.050	1.375	1.669	1.769	1.669	2.350	3.232
E (mm)	669	850	1.000	1.000	1.000	932	1.726
F (mm)	840	701	700	1.025	1.025	945	1.500
Installed power (kW/50Hz)	2,25	5,2	9,5	11,5	15	37,5	44,5
Working capacity (ton/h)	8 - 13	18 - 25	38 - 45	50 - 65	75 - 90	90 - 120	150