

## AQUAFLEX

### Model

- AquaFlex 800

### Technical description

AquaFlex 800 is a unit for treating the drinking water, able to supply cold and hot water ( $T > 60^{\circ}\text{C}$ ), with no suspended solids and hardness lower than  $10^{\circ}\text{F}$  (that is to say calcium content lower than  $100\text{ mg/L}$ , expressed as  $\text{CaCO}_3$ ). AquaFlex 800 is therefore the ideal partner to be matched with filters MicroFlex 12, MicroFlex 24 e MicroFlex 48 to achieve the correct regeneration of microfiltration membranes.

The unit includes 3 treatment stages respectively:

1. microfiltration
2. softening of microfiltered water
3. heating of microfiltered and softened water up to  $85^{\circ}\text{C}$

AquaFlex 800 uses the pressure in the feeding circuit of the water being treated; it only has one inlet (DIN 11851 DN40/Garolla 50) corresponding to the microfiltration stage, and three outlets, from which it is possible to take, respectively:

- microfiltered water (cold) – fitting DIN 11851 DN40 / Garolla DN 50
- microfiltered and softened water (cold) – fitting DIN 11851 DN40/ Garolla DN 50
- heated microfiltered and softened water – fitting DIN 11851 DN40/ Garolla DN 50

The unit is equipped with a standard electrical panel which connects to the power through a tetrapolar plug (3-phase+ground) of 400 V 50 Hz of 63A.

The drinking water treatment system AquaFlex 800 offers the following advantages:

- User-friendly
- Excellent hygiene of the unit
- Excellent quality of the product
- Interchangeable membranes (for the filtration stage)
- Resins regeneration by volumetric control or with a time limit
- Suitable for every winery

## Automation

The unit AquaFlex 800 is equipped with pressure reducers on the inlet line of the drinking water, in order to limit water pressure in the hydraulic lines.

The regeneration of the microfiltration cartridge must be performed manually in co- or counter-current by using the appropriate by-pass circuit, a recirculation pump (not included in the supply) and a support tank (not included in the supply).

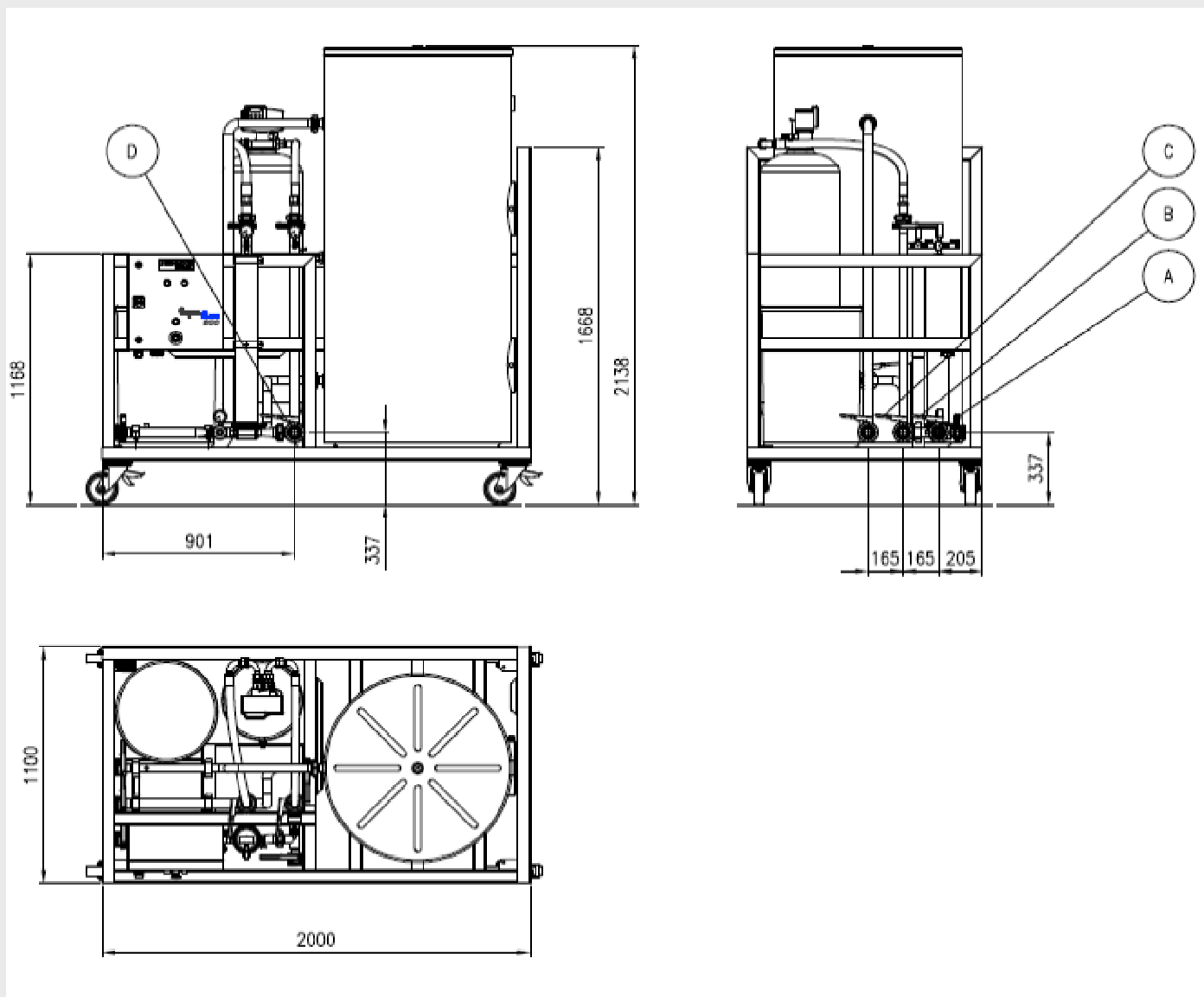
Resins regeneration is performed with a saline solution made in a suitable tank, which is included in the unit. Moreover, resins regeneration is automated and can be set in "volumetric" or "time" mode. Volumetric control consists in measuring the volume of softened water produced over time, in order to carry out the regeneration before the depletion of the resins. Time mode simply consists in the regeneration with a fixed time limit (f.i. every day, every week, etc...)

Regarding the heating of the softened water through the storage tank, two thermostats, both calibrated at 85°C, a thermometer which shows the temperature of the softened water and a combined action safety valve for temperature and pressure are provided.

TECHNICAL DATA			
Overall data	Weight	kg	750
	Installed power	kW	20
	Voltage	V	400Va.c. 50Hz
	Dimensions (L x p x h)	mm	1200 x 2060 x 2150
Filtration stage	N° Housing made of AISI 304	N°	1
	Cartridges (degree of filtration 0.5 mm)	N°	1
	By-pass	N°	1
Softening stage	Tank volume	L	122
	P max	bar	10
	T max	°C	45
	Cationic resin volume	L	75
Heating stage	Water heater volume	L	800
	P max	bar	10
	T max	°C	85

N.B. The above data is indicative and not binding.

## Drawing Aquaflex 800



Legend:

- A. Drinking water inlet
- B. Filtered and softened water outlet
- C. Filtered, softened and 85° heated water outlet
- D. filtered water outlet